



UTTERMOST

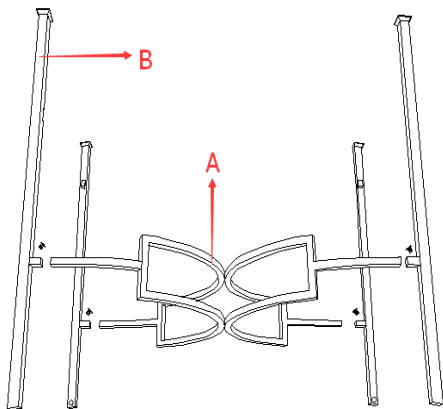
Assembly Instruction

Item :24635

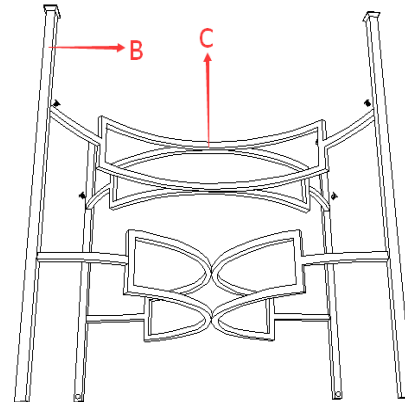
Parts/Hardware list

A	Stretchers(narrow arc)	1 PC	C	Stretchers(wide arc)	1 PC
B	Legs	4 PCS	D	Felt Pad	4 PCS
E	Top Frame	1 PC	F	Glass Top	1 PC
G	Screws	12 PCS	H	Wrench	1 PC

1. Take the parts carefully out of the carton, and place them on a flat and soft surface, making sure that the parts will not be damaged.
2. Assemble the Stretcher(A) Legs(B) together using 4 Screws like picture 1. Make sure all screw holes face to feet side.
3. Assemble the Stretcher(C) Legs(B) together using 4 Screws like picture 2. Make sure all screw holes face to feet side.

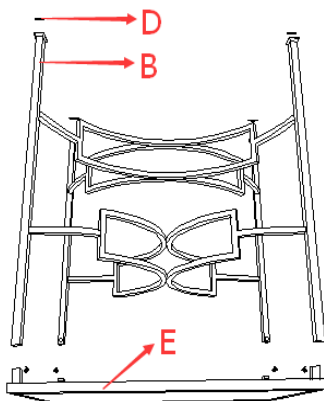


(1)

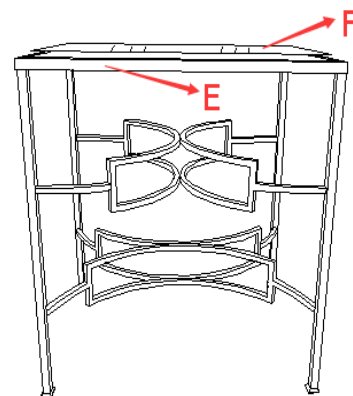


(2)

4. Assemble the Legs(B) on Top Frame(E) using 4 Screws like picture 3.
5. Stick the Felt Pad(D) on the bottom of the Legs(B).
6. Turn over table and place the Glass Top(F) on top frame (E).



(3)



(4)